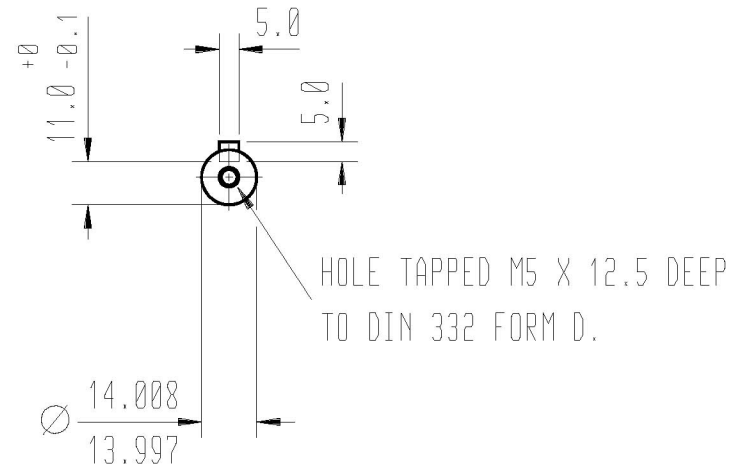
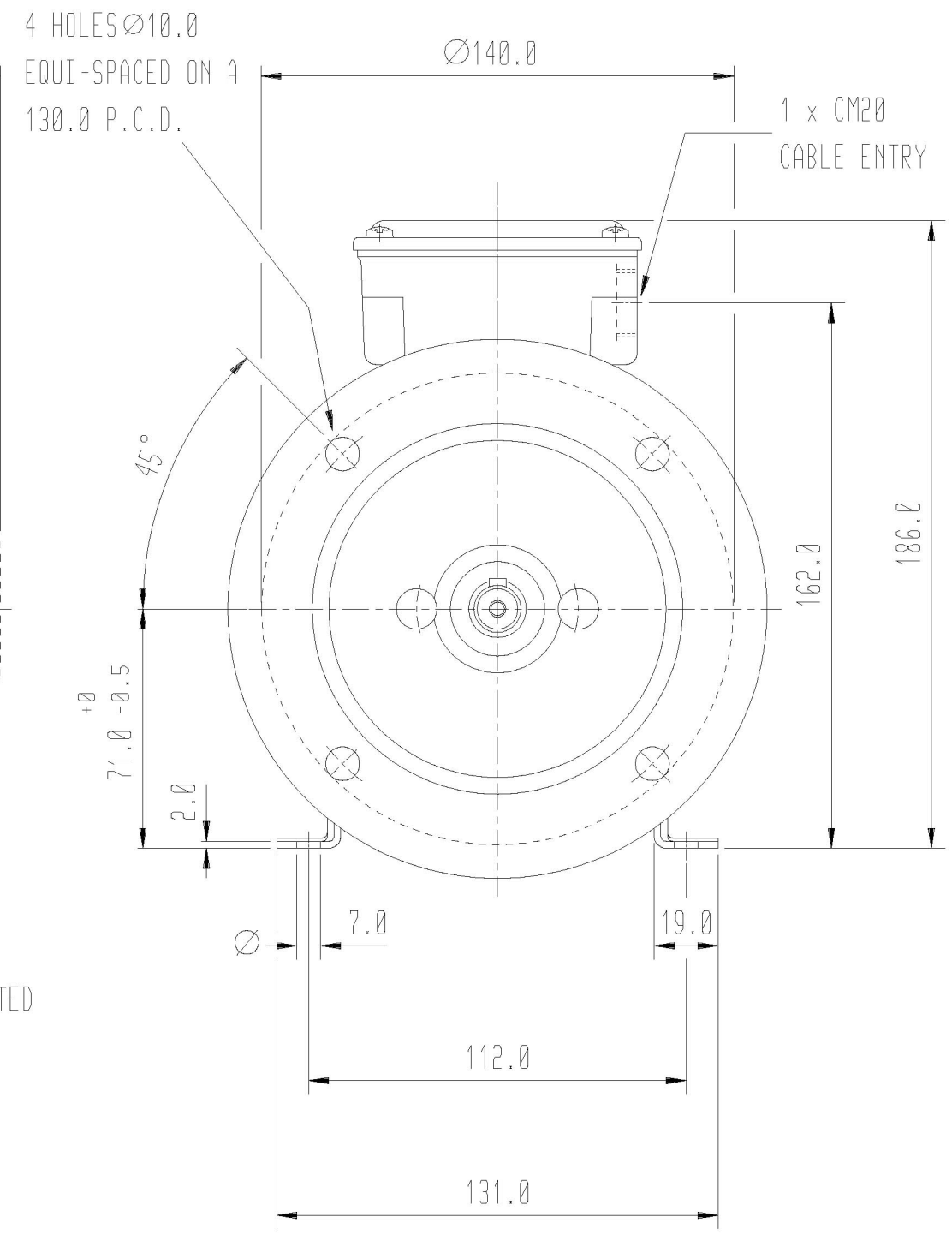
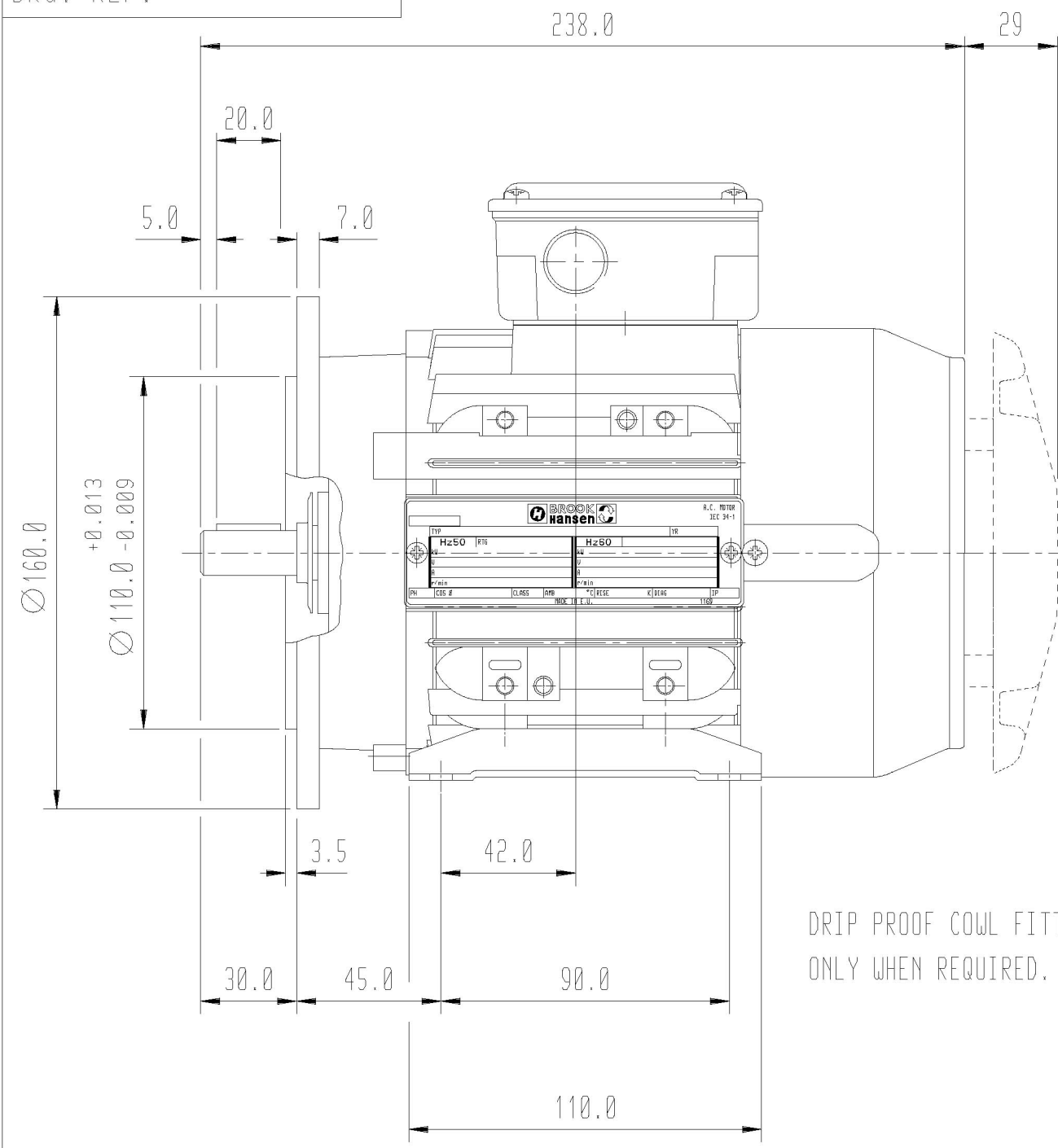


DRG. No.  
 DRG. REF.



CUSTOMER		
ORDER No.		
SERIAL No.		
FRAME SIZE		
KW.	RPM.	
Hz	PHASE	
VOLTS	POLES	
BRGS.	DE.	NDE.
MOTOR NETT WT.		Kg.
SPECIAL REMARKS		

ALL DIMENSIONS IN MILLIMETRES  
 FIRST ANGLE PROJECTION

**BROOK CROMPTON**  
 Small Industrial Motors  
 Huddersfield, W. Yorkshire, HD1 3LJ

TERMINAL BOX CAN BE ARRANGED IN 9 OR 6 O-CLOCK POSITIONS  
 CONDUIT ENTRY CAN BE ARRANGED IN 4 ALTERNATIVE POSITIONS

SHEET SIZE <b>A3</b>	TITLE OUTLINE DIMENSION DRAWING 'W' ALUMINIUM TOTALLY ENCLOSED FAN COOLED 71S FRAME 'D' FLANGE WITH FEET MOUNTED MOTOR	NAME	DATE	DRG. No.
		DRAWN		DRG. REF.
		CHECKED		REVISION:
		SCALE	1:2	DATE